

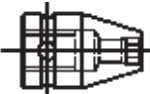
# Sockets Quotation Worksheet

For quotation only. Not an order.

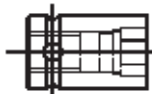


NAME _____	TITLE _____		
COMPANY _____			
ADDRESS _____	CITY _____	STATE _____	ZIP _____
E-MAIL _____	PHONE _____	FAX _____	

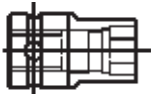
## Socket Type



Type A (tapered)



Type B (straight)



Type C (shouldered)

## Broach Opening

Hex

Double Square

Torx®

Double Hex

Fast Lead

Other

Square

Surface Drive

## Magnetic

Magnetic Bolt Clearance (MB)

Magnetic Bolt Clearance, with retaining ring (RMB)

Strip Magnet (SM)

Fixed Magnet (M)

Non-magnetic

## Drive Configuration

DIN Standard

No DIN groove

Cross Hole (one wall only)

## Extensions

Hex Drive \_\_\_\_\_

Female Square \_\_\_\_\_

Other \_\_\_\_\_

## Size

## Extension Length

No extension required

Quantity \_\_\_\_\_

Applied or Driving Torque \_\_\_\_\_

## Nylon Covers Requirements:

### Components To Be Covered

Socket only

Socket and Extension

### Cover Features

Exposed tip of socket hex

Recessed tip of socket hex

Flush tip of socket hex

Press fit

Free-spinning (able to spin independently of part being covered)

O.D. limitations (must specify) \_\_\_\_\_

Other considerations (must specify) \_\_\_\_\_

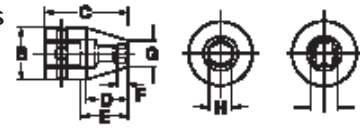
### Additional Specifications \_\_\_\_\_

\_\_\_\_\_

\_\_\_\_\_

\_\_\_\_\_

**Dimensions**



A. Square drive \_\_\_\_\_

B. Drive end diameter \_\_\_\_\_

C. Overall length \_\_\_\_\_


D. Taper or shoulder length \_\_\_\_\_

E. Bolt clearance depth \_\_\_\_\_

F. Broach depth \_\_\_\_\_

G. Nose end diameter \_\_\_\_\_

H. Broach opening \_\_\_\_\_

I. Torx® size  \_\_\_\_\_